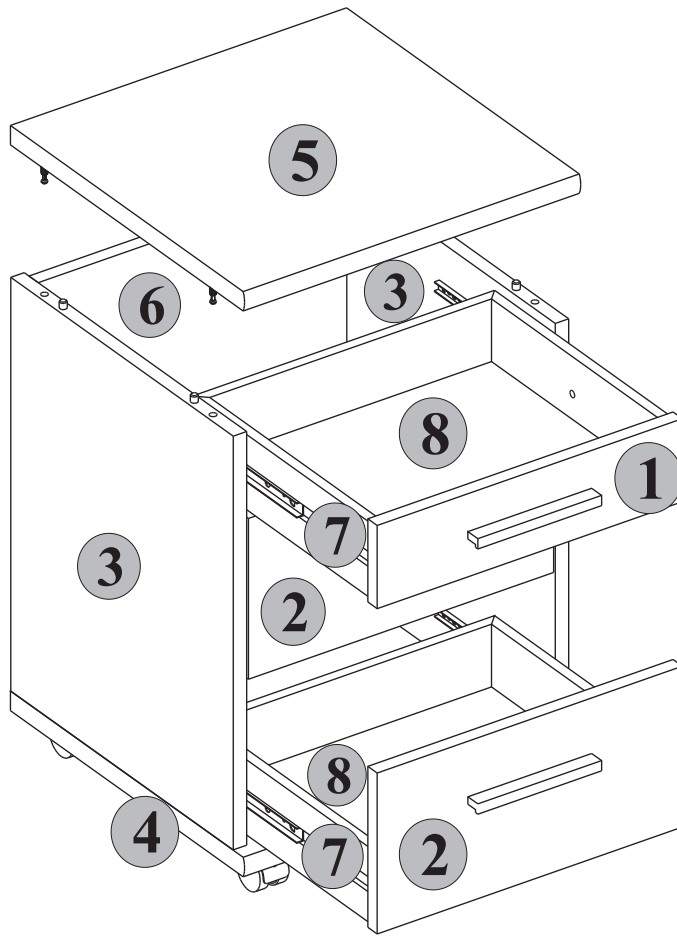
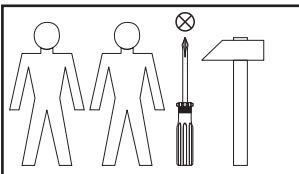




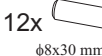


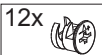





34-450, 39-450
39-451, 39-454

S19-KON3S

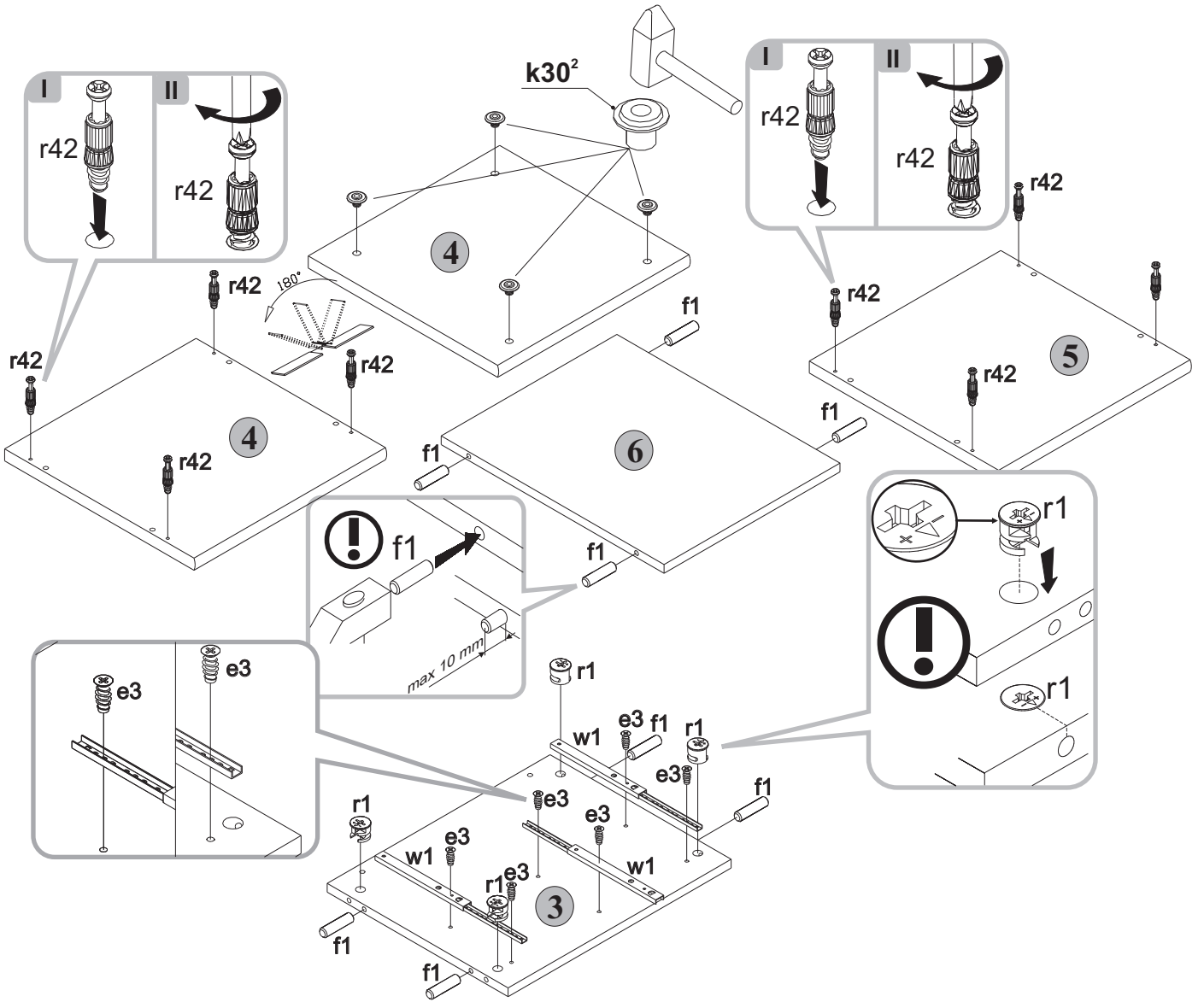


A	B	C	D
1	S19-0168	365x94	4/7
2	S19-0167	365x182	4/7
3	S19-1324	468x380	4/7
4	S19-206	402x400	4/7
5	S19-205	402x400	4/7
6	S19-546	468x369	4/7
7	S19-503A	965x85	4/7
8	S19-903	348x301	4/7

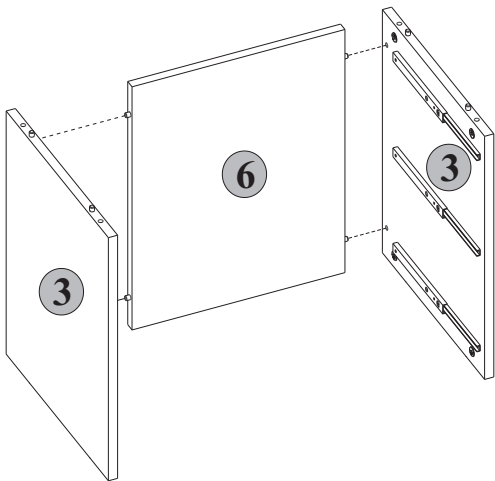


3x  c328	12x  φ6x13 mm e3	12x  φ8x30 mm f1	
4x  φ40 k30 ¹	8x  φ15x12mm #16 r1	12x  φ12x10.5mm #12 r15	20x  r42
4x  k30 ²	6x  φ4x30 mm p9	6x  M4x9 mm j2	6x  185 mm w1

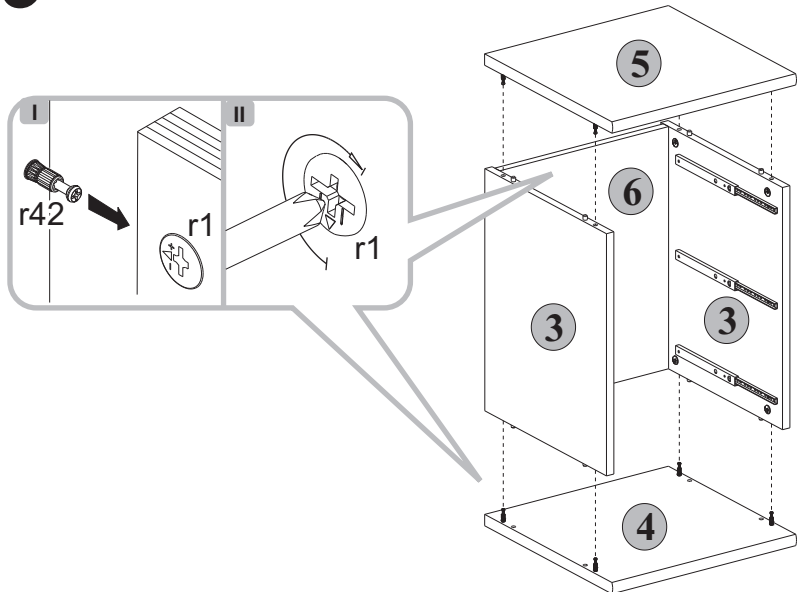
1



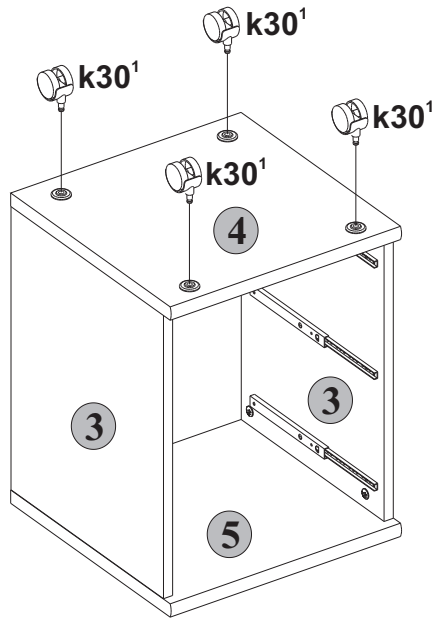
2



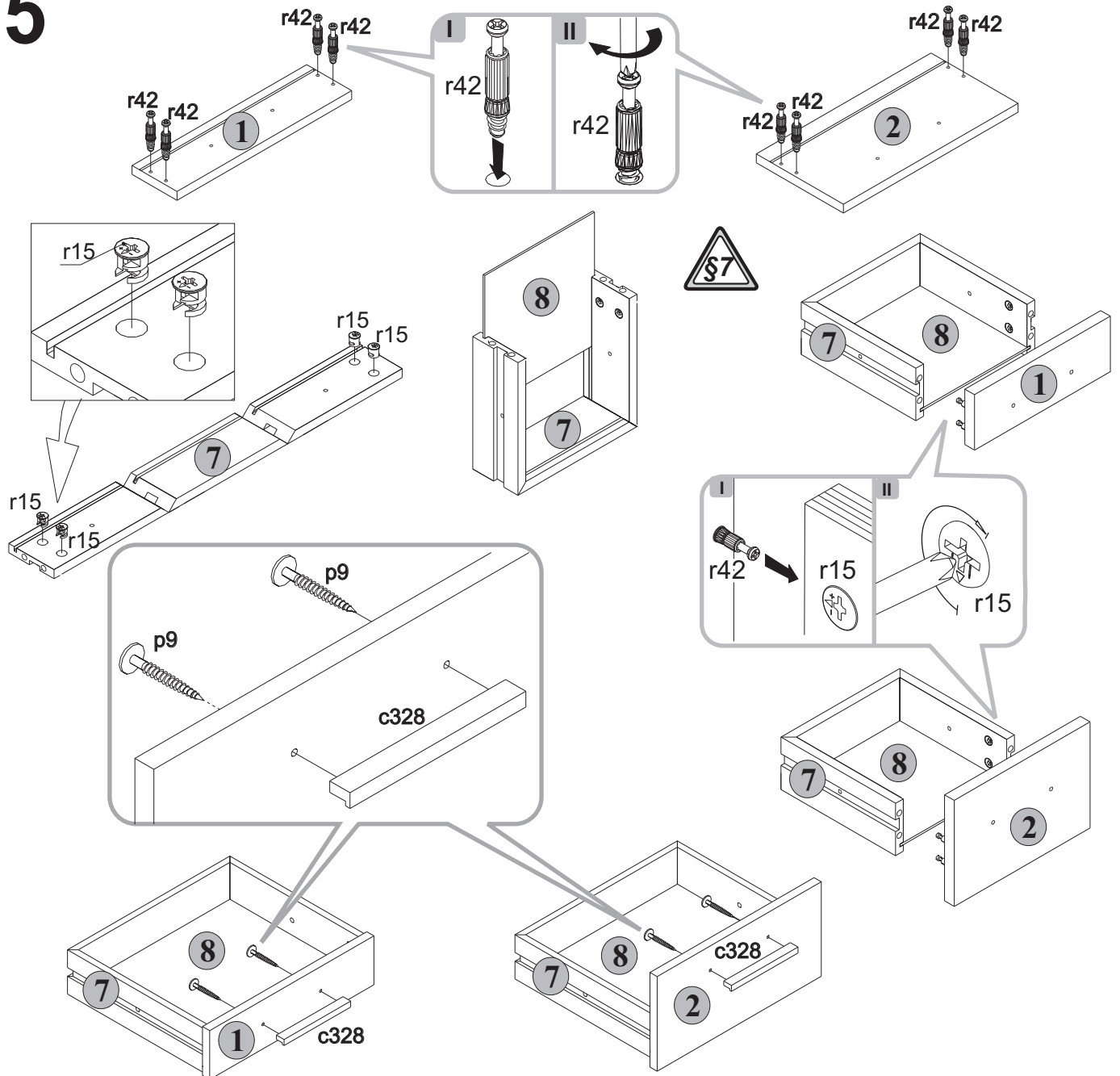
3



4



5



6

